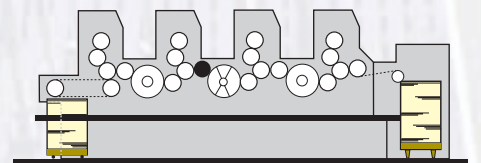


# Section I – Bindery Parts and Supplies

## Bindery Parts and Supplies

Bindery Parts and Supplies Summary .....	1
Blade Holding and Transport Collars.....	3
Slitter Accessories .....	3
Score Accessories .....	3
Cutter Knives.....	4
Cutting Sticks for Paper Cutters .....	4
Drill Bits and Blocks.....	7
Hollow Drill Bits .....	7
Wood Drill Blocks.....	7
Drill E-z-E.....	7
Drill Sharpeners and Accessories .....	7
Folder Accessories .....	6
High Temperature Transfer Tape.....	8
Magnetic Clamping Pads .....	5
Padding Supplies and Equipment.....	6
Paper Cutter Accessories .....	5
Perf Blades .....	2
Plastic Jogger Blocks.....	5
Plastic Knife Guards.....	5
Slitter and Score Blades .....	3
Specialty Tapes .....	9
Splicing Tapes .....	8
Static Tinsel.....	6
Stitching Wire .....	6



## Bindery Parts and Supplies

- Baum Folder Parts & Supplies
- Belts
- Blade Holders
- Brushes
- Bulbs
- Bushings
- Chains / Fingers / Pins
- Challenge Drills / Parts
- Collars
- Connectors / Contactors
- Copper Anti-Static Tinsel
- Cutting Sticks
- Delivery Wheels
- Die Blocks
- Drills / Drill Heads / Parts
- Drive Shafts
- Feeder Belts / Parts
- Filters
- Folder Parts (all major brands)
- Gears
- Idler Pulleys
- IR bulbs
- Ionizers
- Jogger Blocks
- Knives / Guards
- Lawson Drill Bits / Parts
- Letterpress Score
- Marbles
- MBO Parts / Supplies
- Micro Perf Kits
- Muller Martini Parts
- Nygren Dahly Drills / Parts
- Padding Compound / Knives
- Paper Drill Blocks
- Perf / Score / Slitter Blades
- Pressure Sensitive Foam Dots
- Pulleys
- Pumps (all makes / models)
- Rebuilding Kits for pumps
- Relays
- Rollers
- Stahl Folder Parts
- Static Eliminators / Sprays
- Stitch Machine Heads / Parts
- Stitcher Wire
- Suckers / Flat & Molded types
- Switches
- Tires
- Trim Kits / Rings
- Vacuum Wheels

### Belts

- Anti-Static
- Cotton
- Delivery
- Dryer (UV & IR)
- Folder
- HTD Timing
- Metric
- Open Ended Timing
- Timing
- V Belts
- Quick-Splice (cut/butt/melt)
- Conveyor
- Covered Timing Belts
- Drive
- Feedboard
- Hi-Heat
- Incline
- Miehle Vertical
- Round
- Vari-Speed
- Clipper & Alligator Lacing
- Stacker

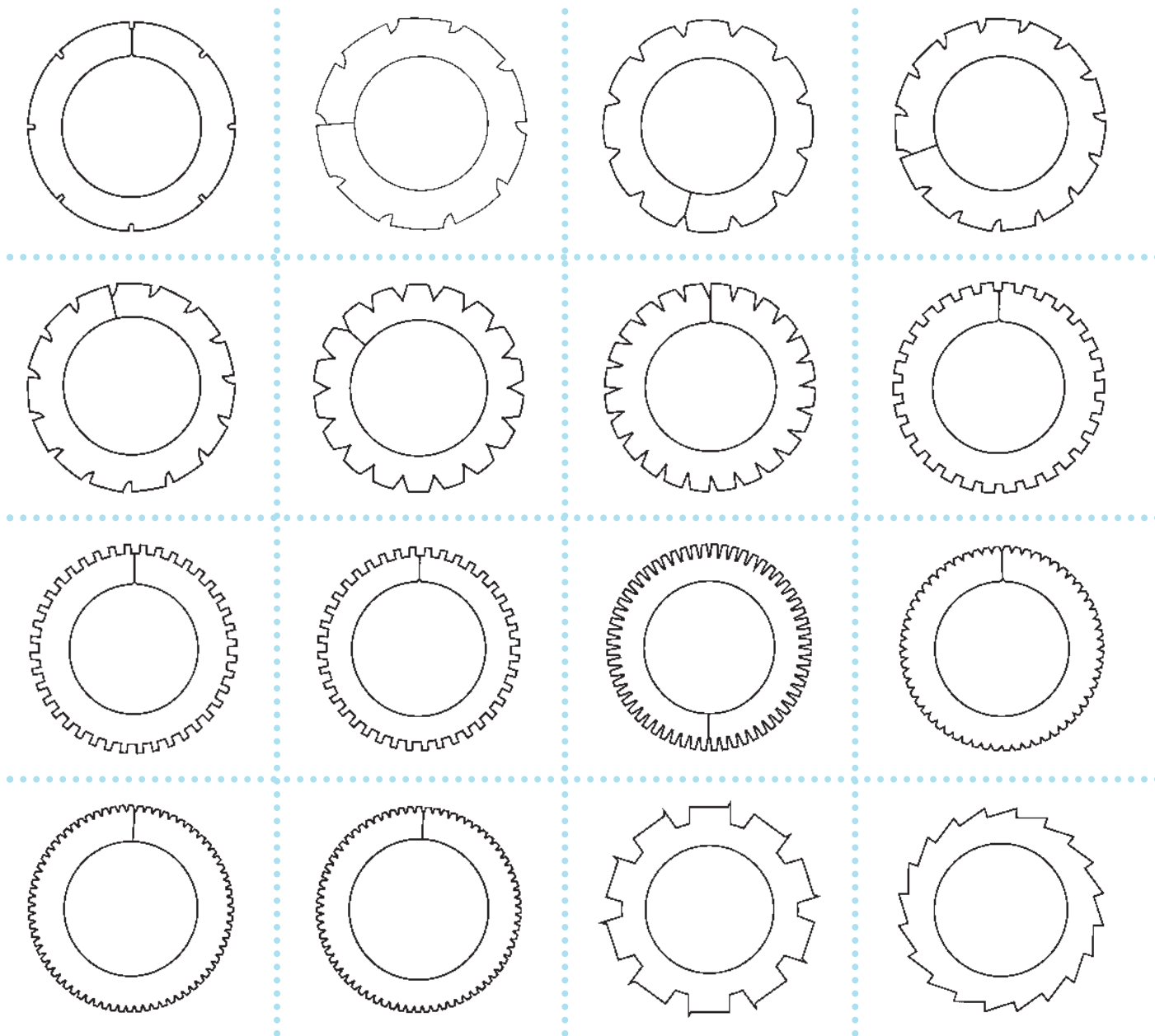
### Tapes

- Bookbinding
- Feedboard
- Double Sided
- Plate Mounting
- Splicing / Transfer / Web
- Teflon ( all 3M types)
- UHMW
- Cork
- Folder
- Moleskin
- Skip / Slit type
- Teflon Fiberglass
- Teflon Grey Grip
- Vinyl

*A partial listing of our complete supply of Parts and Supplies follows on the next few pages. If you don't see what you need, please call and tell us the Manufacturer / model / part number and we will advise you of our money saving options!!*

## Perf Blades

We supply the highest quality replacement parts for Baum, MBO, Stahl and Rosback slitters. We are not an authorized dealer for any of the companies listed above and we do not offer parts manufactured by those companies. Please advise what blade design you require.

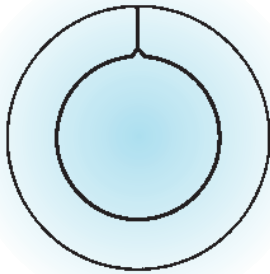


- When ordering, please specify OEM #, OD, ID, thickness, shaft size, and number of teeth per inch.
- Remember, Perf ID is always 5mm larger than shaft OD.
- Please specify any special requirements.

**Perfs are drawn bevel side up.**

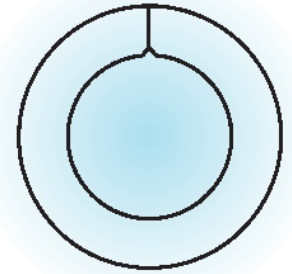
## Slitter and Score Blades

We supply the highest quality replacement parts for Baum, MBO, Stahl and Rosback slitters. We are not an authorized dealer for any of the companies listed above and we do not offer parts manufactured by those companies.



SLITTERS -  
30mm ID

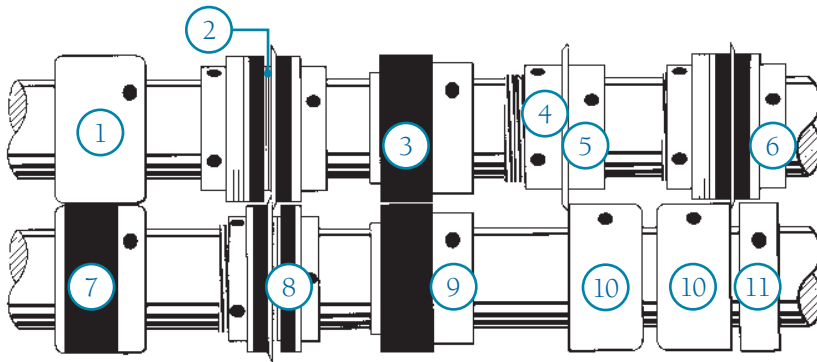
SCORES -  
30mm ID



- Please specify Knife description, including OEM #, OD, ID, & thickness.

## Blade Holding and Transport Collars

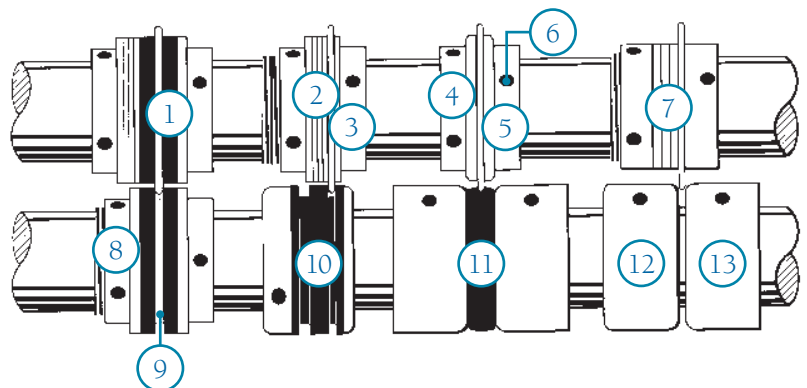
### SLITTER ACCESSORIES



1. Steel Transport Collar
2. Shims, .1mm and .5mm
3. Rubber Tire
4. Locking Ring w/o shoulder
5. Holding Collar w/o shoulder
6. Holding Collar w/o scoring ring
7. Steel/Rubber Transport Collar
8. Edge Trim Rings
9. Pull-Out Collar
10. Die Blocks
11. Die Blocks, 14mm wide double edge

### SCORE ACCESSORIES

1. Edge Trim/Scoring Rings
2. Spacers, 1/8"
3. Holding Collar
4. Locking Ring w/shoulder
5. Holding Collar, 7/8 extra narrow w/shoulder
6. Set Screw
7. Holding Collar, 1-7/8" width w/out shoulder
8. Standard Locking Ring
9. Shims, 1.0mm and 0.5mm
10. Female Score Collar
11. Rubber Tires
12. Steel Transport Collars
13. Die Blocks



- Please specify location of collar, steel or rubber/steel construction, size and perf type utilized.

## Cutting Sticks for Paper Cutters



*Our Cutting Sticks are the best available, so you can depend on our sticks to deliver Superior performance in your application.*

- When ordering cutting sticks, please specify machine type and stick size
- If machine type is not available, send all three dimensions and we will quote
- We can supply cutting sticks made of plastic, wood and fibre materials



*\*\*Sold in multiples of one dozen per size\*\**

## Cutter Knives

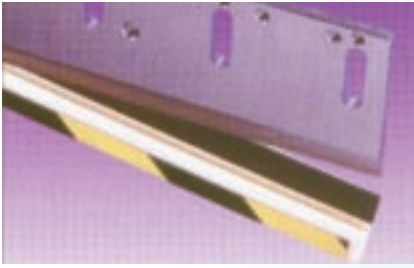


*Please call for a quotation on your knife requirements. We supply knives for Challenge to Wohlenburg and all major brands of cutters in between! Try our knives for the ultimate in durability, quality and value for your money.*

- Please specify your needs from our broad selection of knife grades.

**We can supply sticks and knives for most cutter types!**

## Plastic Knife Guards



*Our thermoplastic knife guards maximize safety while protecting your valuable blades.*

- Please specify the length when you order

## Plastic Jogger Blocks



*To get consistently precise alignment of paper stock in your cutting operation, try our jogger blocks. Their high quality construction insures long term performance.*

- Please specify 3-4-5-6 inch height and desired length

## Magnetic Clamping Pads



*Our cushioned rubber pads secure magnetically, eliminating marks from clamp pressure on your costly stock.*

- Sold in packages of 2
- Standard size is 3" x 15"

## Paper Cutter Accessories



*Talk with us about our supply capability for all types of bolts, shear pins, knife handles, and knobs and setting gauges.*

*\*\*The supply is too numerous to list so please call\*\**

**Our bindery accessories improve quality and save money!**

## Padding Supplies and Equipment

- *Padding Compound is packaged in quarts or gallons*
- *Padding Knives are available from stock – both square and round types*
- *Adjustable Pad Counters insure equal division of pads and are available in 2, 3 and 4”*



## Static Tinsel

*Available in 72’ per box, our conductive copper tinsel discharges static from your stock.*



## Stitching Wire

*No matter what finish, size or temper, we can deliver the high quality, cost effective wire you need. Please call with your specific requirements and let us help.*

## Folder Accessories

*Quality parts available for:*

- *Baum • Stahl • Rosback • MBO*

*\*\*These parts are after market replacements, NOT from the manufacturer\*\**

**Our products improve your uptime performance and lower costs!**



## Drill Bits and Blocks



- Challenge • Lawson • Nygren Dahly
- Seybold • Pioneer • Spinnet

(Non-standard sizes are available in production minimums via special order)

### HOLLOW DRILL BITS

Regular, heavy duty and Teflon coated bits for all model drills.

### WOOD DRILL BLOCKS

- Use both sides of our maple sticks and blocks for additional service life
- Please specify size and thickness



## Drill E-z-E

Versatile lubricant for drill bits and knives. Helps prevent clogging, binding and overheating while optimizing the life of your knife or bit.

## Drill Sharpeners and Accessories

To maintain your bits for longer life, our desk and hand-held sharpeners do the trick. Bits from 1/8" to 1/2" can be handled; an adapter is necessary for the desk model sharpener.

- Specify what drill type when ordering hand model

Belts, clamps, springs, clips, nuts and assorted accessories for Lawson, Nygren Dahly and Challenge are available; please specify make and part number.

**Our competitively priced products speed up your production!**

## High Temperature Transfer Tape

When you need a tape able to withstand temperatures up to 500\* F for short periods, our high temperature product should be the answer.

### Splicing Tapes

#### SINGLE & DOUBLE COATED / REPULPABLE

**All our repulpable splicing tapes comply with TAPPI UM 213 Proc. A**

Choose from our 900 series selection of single and double coated tapes with acrylic adhesive and either completely paper or tissue backing. Backing and adhesives are completely repulpable.

#### PET DOUBLE COATED

Our 1000 series with high tack acrylic PSA adheres well to both kraft and coated papers. Excellent conformability for most irregular surfaces.

#### TRANSFER TAPES

DN-32 double faced transfer tapes deliver high tack and excellent adhesion to a wide range of materials across a broad temperature spectrum.

Our standard grade 2 mil transfer tape offers high initial tack for overlap or fly splicing of paper, film, foils and textiles.

Our standard 5 mil transfer tape instantly transfers to smooth and irregular surfaces with hand pressure. Excellent for splicing of difficult substrates such as cellular foams.



**Stick with us to supply your tape needs!**

**QSV**

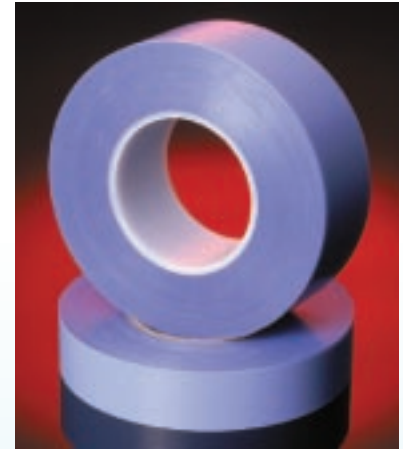
Quality • Service • Value

## Specialty Tapes

### ROLLER WRAP TAPES

Ultra high molecular weight (UMHW) polyethylene tape provides excellent abrasion resistance, high coefficient of friction and reduced slippage.

Silicone coated PET film with rubber adhesive allows paper or film to pass easily over rollers while still driving and controlling the web.



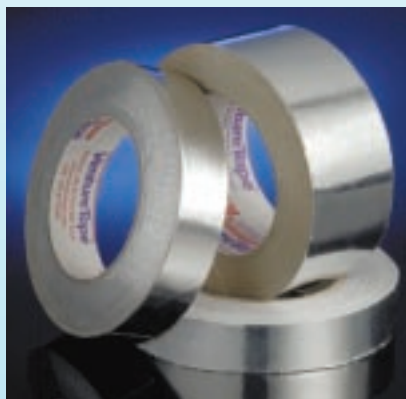
### TEFLON TAPES

Our skived PTFE film tapes reduce friction, build-up and sticking. Use on high speed equipment, conveyors and shrink wrap systems.

PTFE coated glass cloth tape delivers high temperature and improved chemical resistance; excellent performance on guide rails and chutes.

The Printer's friend - our Anti-Slip tape reduces wrinkles and slipping on converting and printing rollers. Excellent anti-slip / anti-adhesive properties.

### PLATE MOUNTING TAPES



Our high strength foil tape gives quick stick results across a wide temperature range. Use it to protect your Cyrel plates when you mount them on plate cylinders.

For superior adhesion to flexo plates, try our cushion platemount tape that fills voids between plate and cylinder; maintaining print quality and speed.

For more challenging plate adhesion challenges, try our slightly thicker cushioned platemount tape that delivers quick, accurate mounting and repositioning capability.

For metal, plastic and photopolymer plates; our no residue, easy strip tape offers superior chemical resistance to insure consistent performance on the press.

### HOOK & LOOP RECLOSABLE FASTENERS ("VELCRO")

Tiny, stiff hooks mesh with pliable loops for secure fastening; PSA coated on one or both mating surfaces; various sizes available in 25 yd. rolls and die cut "coins".