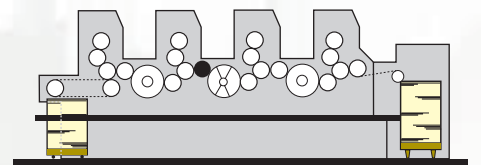


## Section G – In Your Tanks

## In Your Tanks

Alcohol Testers (Wide and Low Range) .....	1
Bag Filters .....	2-4
Conductivity Meter .....	1
Door Filters (Royse) .....	4
Fountain Solution System Filters .....	4
Ink Grabbers .....	1
Pressure / Vacuum Pumps .....	1
Royse Alco-Miser Parts .....	5
Royse Space Saver Parts .....	6
Royse / Varn OEM and Replacement Filter Cartridges .....	3
Water Filters / Filter Bags .....	2-3
Royse, Baldwin .....	2
Technotrans, Grafix and Others .....	3



## Alcohol Testers (WIDE & LOW RANGE)

This handy tool gives a reading in seconds, taking the guesswork out of alcohol control. Available in two ranges:

<u>Wide Range</u>		<u>Low Range</u>	
28%	1 ball	12%	1 ball
25%	2 balls	10%	2 balls
20%	3 balls	6%	3 balls
15%	4 balls	4%	4 balls
10%	5 balls	2%	5 balls
5% to zero	6 balls	1% to zero	6 balls



The percentage of alcohol in the fountain is determined by the number of balls that float, as listed above. As alcohol evaporates, more balls will rise indicating the need for more alcohol.



## Conductivity Meter

*Our meter quickly and accurately tests both Ph and conductivity. Shipped in its own unbreakable carrying case.*

**PH Tester Products:**    • Strips    • Pens    • Digital Meters  
Give us a call to discuss these options

## Ink Grabbers

*Our special absorbent material isolates floating and suspended ink from your Fountain Solution, maintaining the effectiveness of your chemistry. We supply this item in packages of four.*

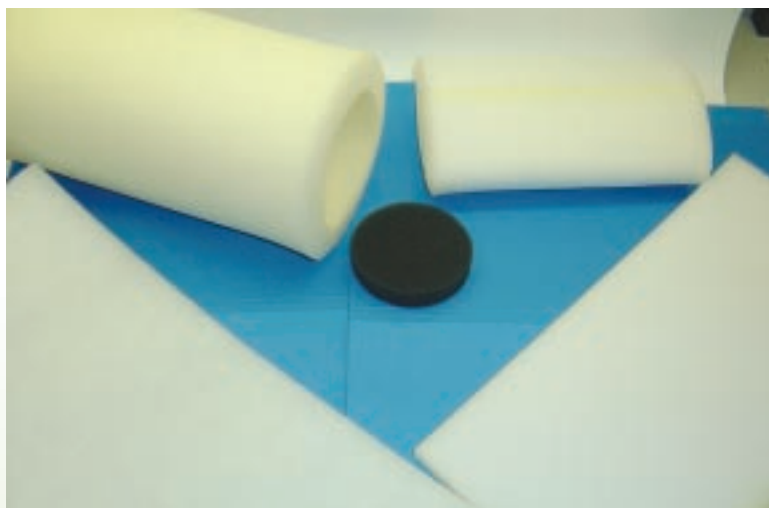


## Pressure / Vacuum Pumps FOR ROYSE & BALDWIN SYSTEMS

*We supply pumps in 115 and 230 volts to fit all Baldwin and Royse SS models. They can be adapted for use in other manufacturer's systems.*

**Your recirculation system works better with our products!**

## Replacement Water Filters



### ROYSE RECIRCULATION SYSTEMS

Type	Superior Part #	Approx. Size/Description
Flat Foam	1017	7-1/2" x 14-1/2" x .075"
	1039	3-3/8" round diffusion pad
Round Foam	1010	5" diameter x 7-1/8" height (also fits Dahlgren)
Bag Filters	POG-100	6-7/8" bag width x 9-7/8" overall length without nozzle
	1036-17	7" bag width x 13" overall length (with nozzle and internal filter)

### BALDWIN RECIRCULATION SYSTEMS

Type	Superior Part #	Approx. Size/Description
Flat Foam	1009	7-1/2" x 7-1/2" x .075"
	1012	10-1/2" x 12-1/2" x .075"
Round Foam	1006	4-1/4" diameter x 8-1/2" height x .075"
	1007	6" diameter x 11-1/2" height x 1"
	1008	6-3/4" x 15-1/2" U-shaped x 1"
	1019	4-1/4" diameter x 8" x .075"
Bag Filters	1036-11	16" x 20-1/2" x 2-1/8"
Box Filters	1013	10-1/2" x 8" x 3-3/4"

*\*All filter sizes approximate\**

Stop searching . . . Start finding! 1-800-332-4492



Quality • Service • Value

## Replacement Water Filters and Filter Bags

### REPLACEMENT FILTERS & FILTER BAGS FOR **TECHNOTRANS** SYSTEMS

Type	Superior Part #	Approx. Size/Description
Poly Bind Filters	990324	10-1/2" x 18" x 3/4"
	990326	17-1/2" x 24" x 3/4"
	990328	8" x 17-1/2" x 3/4"
	990329	10" x 16-1/2" x 3/4"
Bag Filters	1036-1	7" x 16-1/2" x 7" with ring
	1036-9	9-3/4" x 18-1/2" x 3-1/4"
	550030	10-3/4" x 14-1/2" width, 3-1/2" neck, 4-1/4" O.D.
	550590	9" x 12" width, 1-1/2" neck, 2-3/4" O.D. (2 ply)
	EPE 50-GA400	21" x 16" x 5-1/2" O.D.
	POG 50	15-1/2" x 20" overall length, 3-1/2" O.D.
	556050	22-1/2" x 7-1/4" width, 3" neck, 3" O.D. (3 ply)

### REPLACEMENT WATER FILTER KIT FOR **GRAFIX** RECIRCULATION SYSTEM

Superior Part #	Approx. Size/Description
FTR1001082	Filter Kit (8 filters)

### REPLACEMENT FILTER BAGS FOR **ALL** SYSTEMS

Superior Part #	Approx. Size/Description
41169	7" x 12" width, 2" neck, 3" O.D.
1036-3	9" x 11-3/4" x 2-5/32" (MG)
1033	5-1/4" x 20-1/2"
1037	15-3/4" x 20-1/2" width, 3-1/4" neck, 5-3/4" O.D.
1037B	17" x 22-1/2"

### ROYSE / VARN FOUNTAIN PURE™ FILTERS

Superior Part #	Approx. Size/Description
7600EAE	40 micron - use with (7601) 1 lb. or (7005) 3 lb. valve kit
7602EAE	40 micron - use with (7603) 3 lb. or (7008) 10 lb. valve kit
7603EAE	100 micron - use with (7008) 10 lb. valve kit



*\*All filter sizes approximate\**

**Call for our Varn replacement filters . . . We will save you money!**

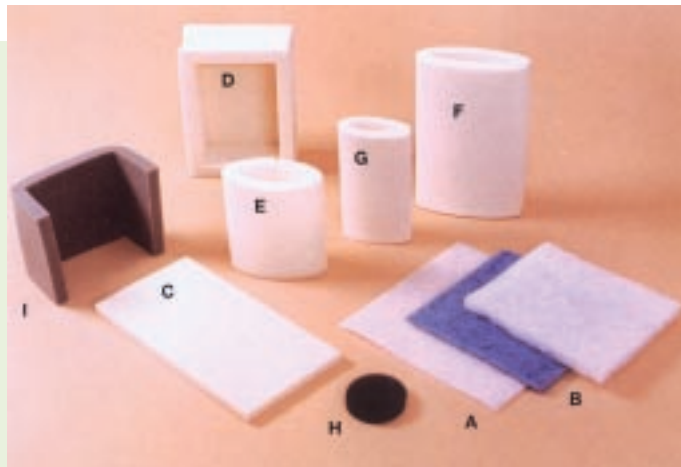


Quality • Service • Value

## Fountain Solution System Filters

Replacement Filter Elements that meet or exceed OEM requirements. Precisely manufactured for an exact fit. Made from foam, polyfilter, felt and polyester to meet the original equipment specifications. Call us if your specific filter size isn't shown.

<u>Letter</u>	<u>Superior Part #</u>	<u>Approx. Size/Description</u>
A	Various	Felt
B	Various	Polyfiber
C	1017	7-1/2" x 14-1/2"
D	1013	8" x 10-1/2" Box
E	1010	5" Diameter
F	1007	6" Diameter
G	1006	4" Diameter
H	1039	3-3/8" Round Diffusion Pad
I	1008	7" x 15 U-Shape



## Bag Filters



<u>Superior Part #</u>	<u>Approx. Size/Description</u>
1036-1	7 x 16-1/2 x 7
1036-2	6-1/2 x 9-3/8 x 1-1/2
1036-3	8-1/2 x 11-3/4 x 2-1/2
1036-4 (NS)	11-3/8 x 23-3/4 x 4
1036-9	9-3/4 x 18-1/2 x 3-1/4
1036-11	16 x 20-1/2 x 2-1/8
1036-13	8-1/2 x 12-1/2 x 1
1036-14	13 x 17-1/2 x 4-1/2
1036-17 (NS)	7 x 13 with nozzle
1095	2-1/4 x 7-1/4 open ends
1033	5-1/4 x 20
POG 100 (NS)	6-7/8 x 9-7/8 at neck
POG 50	14 x 18 x 3-1/2 wide neck
41169 (NS)	7 x 14-1/4 x 2 long neck

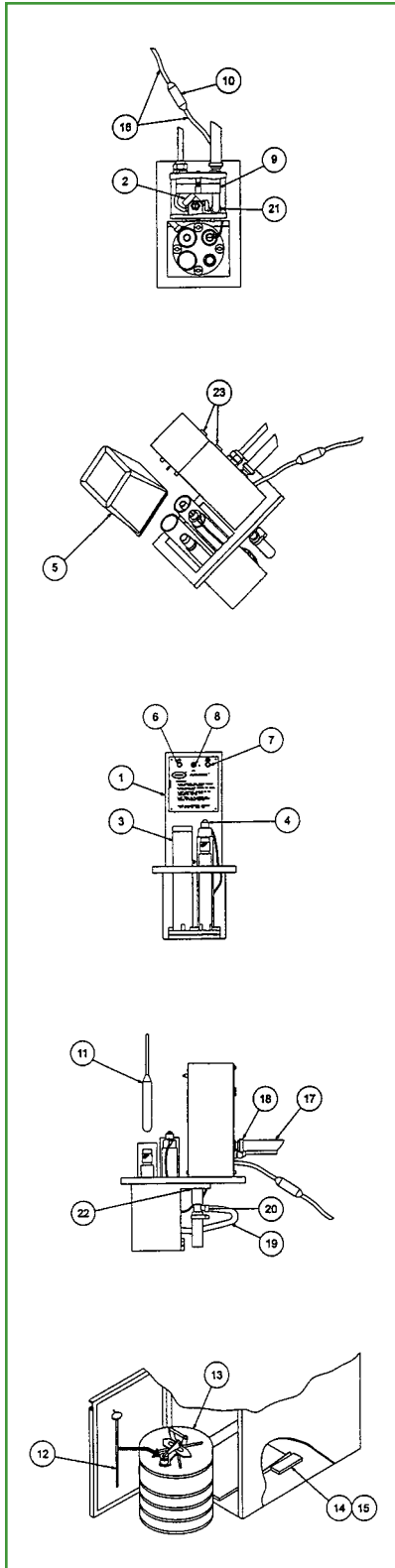
## Royse Door Filters

<u>Superior Part #</u>	<u>Approx. Size/Description</u>
SS-3	9-3/4 x 14 x 1/2 with frame
SS-5 (old style)	11-1/2 x 12-1/2 (no frame)
(new style)	10-3/4 x 15 x 1/2 with frame
EC Unit 308	15 x 14-1/2 x 1/2 with frame

*\*All filter sizes approximate\**

**All sizes and shapes of foam and bag filters are available!**

## Royse Alco-Miser Parts List

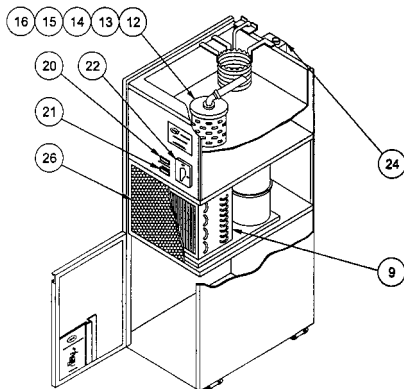
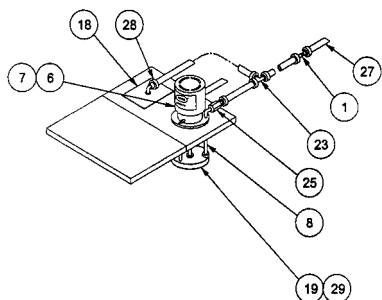
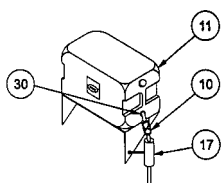


Item	Description	Part Number
1	Alco-Miser 115V Model A-10	0-380-0002-21
	Alco-Miser 230V Model A-20	0-380-0002-22
	Alco-Miser 230V Model A-30	0-380-0002-23
2	Valve Assembly - Solenoid 115V	0-181-0001-01
	Valve Assembly - Solenoid 230V	0-181-0001-02
3	Tower Assembly	0-302-0027-01
4	Sensing Cap Assembly	0-181-0004-01
5	Tower Cover (Clear Plastic)	0-102-0019-01
6	Green Neon Lamp (115V) "On"	9-416-5525-04
	Green Neon Lamp (230V) "On"	9-416-5525-03
7	Amber Neon Lamp (115V) "Balanced"	9-416-5525-01
	Amber Neon Lamp (230V) "Balanced"	9-416-5525-02
	Blue Neon Lamp (230V) "Balanced"	9-416-5525-05
8	On/Off Switch	5-181-0131-01
9	Relay (115V) E-37	9-430-0425-01
	Relay (230V) E-37	9-430-0425-02
10	Filter-Alcohol	9-590-0800-01
11	Hydrometer	0-183-0002-01
12	Safety Can Fitting	0-181-0005-01
13	Safety Can - 5 gallon	9-597-0101-01
14	Balance Shelf Assembly for Safety Can	0-181-0009-01
15	Proximity Switch - Low Alcohol	9-499-0002-02
16	Tubing - Yellow, 1/8" ID x 1/4" OD	9-598-0051-01
17	Tubing - Clear Poly, 1/2" ID x 3/4" OD	9-598-0107-02
18	Clamp - Hose SNP-14 (1/2")	9-598-5001-14
19	Tubing - Latex 3/16" ID x 3/8" OD	9-598-0070-04
20	Clamp - Hose SNP-2 (3/8")	9-598-5001-04
21	Orifice Elbow (Venturi)	0-102-0017-01
22	Nozzle - Sample Tube	0-102-0015-01
23	Fuse - .75 Amp/250V 1/4 x 1-1/4 (UL3AG)	9-407-0201-12
	Fuse - .63 Amp/250V 5 x 20mm (Intl)	9-407-8101-08

See Royse Circulation Systems in our Equipment Section!

## Royse Space Saver Parts List

G  
6



Item	Description	Part Number
1	Valve Assy-Pan Flow Control 1/2x1/2	0-181-0012-01
	Valve Assy-Pan Flow Control 1/2x3/8	0-181-0013-01
	Valve Assy-Pan Flow Control 3/8x3/8	0-181-0011-01
	Valve Assy-Pan Flow Control 1/2x1/4	0-181-0015-01
	Valve Assy-Pan Flow Control 1/2x5/16	0-181-0017-01
	Valve Assy-Pan Flow Control 1/4x1/4	0-181-0016-01
	Valve Assy-Pan Flow Control 5/16x5/16	0-181-0018-01
2	Valve Assembly - Return Accumulator	0-181-0004-01
3	Accumulator Assembly - Return w/shut off	0-180-0032-01
4	Reservoir - Return Accumulator	0-102-0008-01
5	ShutOff Valve Assembly - 1/2" barb ends	0-181-0011-02
6	Nova PV Pump Assembly - 115 Volt	0-445-0300-02
	Nova PV Pump Assembly - 230 Volt	0-445-0325-02
7	Motor - Nova PV Pump, 115V	Discontinued/NA
	Motor - Nova PV Pump, 230V	Discontinued/NA
8	Pump Housing Kit - Nova PV	Discontinued/NA
9	Coil & Compressor Assembly	No part number
10	Dura Clamp - ShutOff for Tank Hose	9-598-5010-02
11	Tank Assembly - 5 gallon Auxiliary (SS5-30)	1-181-0002-02
	Tank Assembly - 2.5 gallon Auxiliary (SS5-3)	1-381-0044-01
12	Filter Canister Kit (SS5-30)	Discontinued/NA
	Filter Bag Assembly (SS3)	1-181-0047-01
13	Filter Canister with Lid only (SS5-30)	Discontinued/NA
	Lid Assembly for Filter Canister (SS5-30)	Discontinued/NA
14	Diffuser Pad 3-1/2 dia. x 3/4 thk. (SS5-30)	1-130-0004-01
15	Filter Liner (Foam Media 14-1/2x7-3/8x3/4) (SS5-30)	1-130-0006-01
	Filter Bag (SS3)	9-590-0009-01
16	Filter Liner Kit (12 liners, 3 diffusers) (SS5-30)	1-183-0001-01
	Filter Liner Kit (16 liners, 6 diffusers) (SS5-30)	1-183-0001-02
17	Level Control Tube for Auxiliary Tank	0-114-0014-01
18	Hole Cover Assy. - Alco-Miser (Mirror Finish) (SS5-30)	1-203-0017-01
19	Impeller (White 60 Hz)	0-210-0001-01
	Impeller (Green / Low Velocity)	0-210-0001-03
20	Amber Lamp - Low Alcohol Indicator	0-416-5501-03
21	Green Lamp - System Power Indicator	0-416-5501-02
22	Power Switch - On/Off (SS5 & 10)	0-425-1201-01
	Power Switch - On/Off (SS20 & 30)	0-425-1201-02
23	Tee - Nylon (1/2" hose barb)	9-500-0055-33
24	Thermostat - Manual	0-570-0010-03
25	ShutOff Valve Assembly - 1/2" barb one end	0-181-0011-01
26	Filter - Air (10-3/4x15x1/2 w/frame) (SS5-30)	1-130-0003-01
	Filter - Air (11-1/2x12-1/2x1 w/o frame) (SS5-30)	1-130-0005-01
	Filter - Air (9-3/4x14x1/2 w/frame) (SS3)	1-130-0003-03
	Filter - Air (15x14-1/2x1/2 w/frame) (SS10-30-EC)	1-130-0003-02
27	Tubing - Clear Poly (1/2" I.D. x 3/4" O.D.)	9-598-0107-02
28	Clamp - Hose, Tyton SNP-14 (1/2")	0-598-5001-14
29	Impeller Housing - Bottom Half	0-211-0002-01
30	Bottle Cap Assembly with Hose Kit (SS5-30)	1-180-0040-01
	Auxiliary Tank Rubber Plug Assembly (SS5-30)	0-181-0003-01
	Bottle Cap Assembly with Hose Kit (SS3)	1-180-0039-01